

DS91D180/DS91C180

100 MHz M-LVDS Line Driver/Receiver Pair

General Description

The DS91D180 and DS91C180 are 100 MHz M-LVDS (Multipoint Low Voltage Differential Signaling) line driver/receiver pairs designed for applications that utilize multipoint networks (e.g. clock distribution in ATCA and uTCA based systems). M-LVDS is a new bus interface standard (TIA/EIA-899) optimized for multidrop networks. Controlled edge rates, tight input receiver thresholds and increased drive strength are some of the key enhancements that make M-LVDS devices an ideal choice for distributing signals via multipoint networks.

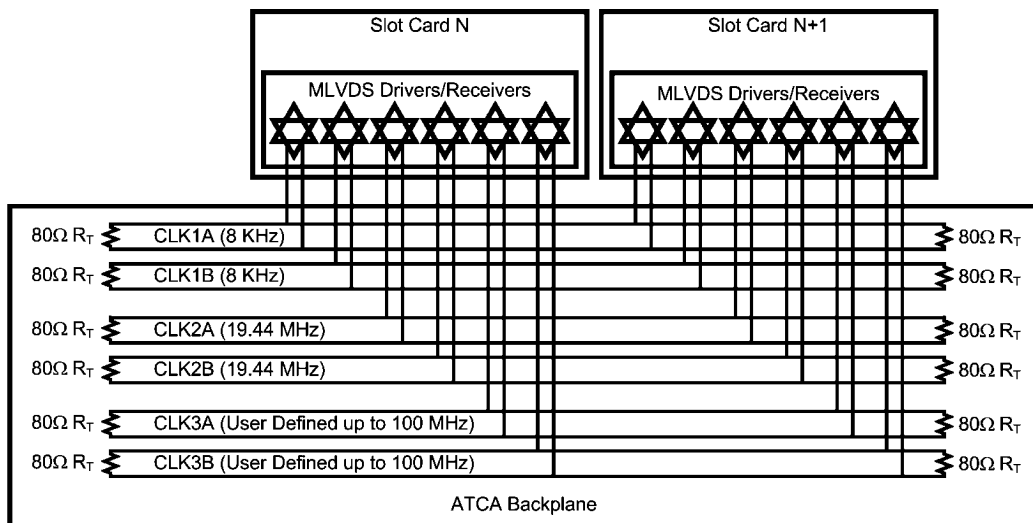
The DS91D180/DS91C180 driver input accepts LVTTTL/LVCMOS signals and converts them to differential M-LVDS signal levels. The DS91D180/DS91C180 receiver accepts low voltage differential signals (LVDS, B-LVDS, M-LVDS, LV-PECL and CML) and converts them to 3V LVCMOS signals. The DS91D180 device has a M-LVDS type

1 receiver input with no offset. The DS91C180 device has a type 2 receiver input which enable failsafe functionality.

Features

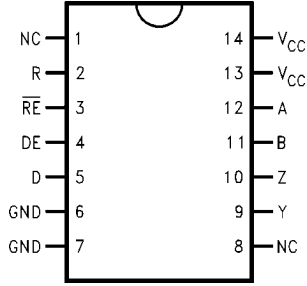
- DC to 100+ MHz / 200+ Mbps low power, low EMI operation
- Optimal for ATCA, uTCA clock distribution networks
- Meets or exceeds TIA/EIA-899 M-LVDS Standard
- Wide Input Common Mode Voltage for Increased Noise Immunity
- DS91D180 has type 1 receiver input
- DS91C180 has type 2 receiver input for fail-safe functionality
- Industrial temperature range
- Space saving SOIC-14 package (JEDEC MS-012)

Typical Application in an ATCA Clock Distribution Network



20041930

Connection Diagram

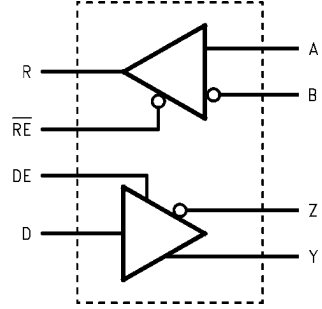


20041926

Top View

Order Number DS91D180TMA, DS91C180TMA
See NS Package Number M14A

Logic Diagram



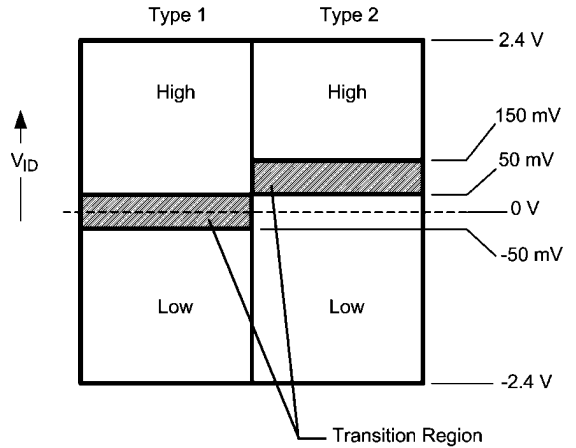
20041925

Ordering Information

| Order Number | Receiver Input | Function | Package Type |
|--------------|----------------|-------------------------------------|--------------|
| DS91D180TMA | type 1 | Data (0V threshold receiver) | SOIC/M14A |
| DS91C180TMA | type 2 | Control (offset fail-safe receiver) | SOIC/M14A |

M-LVDS Receiver Types

The EIA/TIA-899 M-LVDS standard specifies two different types of receiver input stages. A type 1 receiver has a conventional threshold that is centered at the midpoint of the input amplitude, $V_{ID}/2$. A type 2 receiver has a built in offset that is 100mV greater than $V_{ID}/2$. The type 2 receiver offset acts as a failsafe circuit where open or short circuits at the input will always result in the output stage being driven to a low logic state.



20041940

FIGURE 1. M-LVDS Receiver Input Thresholds

Absolute Maximum Ratings (Note 1)

If Military/Aerospace specified devices are required, please contact the National Semiconductor Sales Office/Distributors for availability and specifications.

| | |
|---|------------------------------|
| Supply Voltage, V_{CC} | -0.3V to +4V |
| Control Input Voltages | -0.3V to ($V_{CC} + 0.3V$) |
| Driver Input Voltage | -0.3V to ($V_{CC} + 0.3V$) |
| Driver Output Voltages | -1.8V to +4.1V |
| Receiver Input Voltages | -1.8V to +4.1V |
| Receiver Output Voltage | -0.3V to ($V_{CC} + 0.3V$) |
| Maximum Package Power Dissipation at +25°C | |
| SOIC Package | 1.1 W |
| Derate SOIC Package | 8.8 mW/°C above +25°C |
| Thermal Resistance (4-Layer, 2 oz. Cu, JEDEC) | |
| θ_{JA} | 113.7 °C/W |
| θ_{JC} | 36.9 °C/W |
| Maximum Junction Temperature | 150°C |
| Storage Temperature Range | -65°C to +150°C |

| | |
|--|---------------|
| Lead Temperature (Soldering, 4 seconds) | 260°C |
| ESD Ratings: | |
| (HBM 1.5k Ω , 100pF) | ≥ 5 kV |
| (EIAJ 0 Ω , 200pF) | ≥ 250 V |
| (CDM 0 Ω , 0pF) | ≥ 1000 V |

Recommended Operating Conditions

| | Min | Typ | Max | Units |
|--|------|-----|----------|-------|
| Supply Voltage, V_{CC} | 3.0 | 3.3 | 3.6 | V |
| Voltage at Any Bus Terminal (Separate or Common-Mode) | -1.4 | | +3.8 | V |
| Differential Input Voltage V_{ID} | | | 2.4 | V |
| High Level Input Voltage V_{IH} | 2.0 | | V_{CC} | V |
| Low Level Input Voltage V_{IL} | 0 | | 0.8 | V |
| Operating Free Air Temperature T_A | -40 | +25 | +85 | °C |

Electrical Characteristics

Over recommended operating supply and temperature ranges unless otherwise specified. (Notes 2, 3, 4, 8)

| Symbol | Parameter | Conditions | Min | Typ | Max | Units | |
|------------------------|--|---|------------|------|-------------|---------|----|
| M-LVDS Driver | | | | | | | |
| $ V_{YZ} $ | Differential output voltage magnitude | $R_L = 50\Omega$, $C_L = 5pF$ | 480 | | 650 | mV | |
| ΔV_{YZ} | Change in differential output voltage magnitude between logic states | Figure 2 and Figure 4 | -50 | 0 | +50 | mV | |
| $V_{OS(SS)}$ | Steady-state common-mode output voltage | $R_L = 50\Omega$, $C_L = 5pF$ | 0.3 | 1.8 | 2.1 | V | |
| $ \Delta V_{OS(SS)} $ | Change in steady-state common-mode output voltage between logic states | Figure 2 and Figure 3 | 0 | | +50 | mV | |
| $V_{OS(PP)}$ | Peak-to-peak common-mode output voltage | ($V_{OS(PP)}$ @ 500KHz clock) | | 143 | | mV | |
| $V_{Y(OC)}$ | Maximum steady-state open-circuit output voltage | Figure 5 | 0 | | 2.4 | V | |
| $V_{Z(OC)}$ | Maximum steady-state open-circuit output voltage | | 0 | | 2.4 | V | |
| $V_{P(H)}$ | Voltage overshoot, low-to-high level output | $R_L = 50\Omega$, $C_L = 5pF$, | | | $1.2V_{SS}$ | V | |
| $V_{P(L)}$ | Voltage overshoot, high-to-low level output | $C_D = 0.5pF$ Figure 7 and Figure 8 (Note 9) | -0.2 V_S | | | V | |
| I_{IH} | High-level input current (LVTTTL inputs) | $V_{IH} = 2.0V$ | -15 | | 15 | μA | |
| I_{IL} | Low-level input current (LVTTTL inputs) | $V_{IL} = 0.8V$ | -15 | | 15 | μA | |
| V_{IKL} | Input Clamp Voltage (LVTTTL inputs) | $I_{IN} = -18$ mA | -1.5 | | | V | |
| I_{OS} | Differential short-circuit output current | Figure 6 | -43 | | 43 | mA | |
| M-LVDS Receiver | | | | | | | |
| V_{IT+} | Positive-going differential input voltage threshold | See Function Tables | Type 1 | | 20 | 50 | mV |
| | | | Type 2 | | 94 | 150 | mV |
| V_{IT-} | Negative-going differential input voltage threshold | See Function Tables | Type 1 | -50 | 20 | | mV |
| | | | Type 2 | 50 | 94 | | mV |
| V_{OH} | High-level output voltage | $I_{OH} = -8$ mA | 2.4 | 2.7 | | V | |
| V_{OL} | Low-level output voltage | $I_{OL} = 8$ mA | | 0.28 | 0.4 | V | |
| I_{OZ} | TRI-STATE output current | $V_O = 0V$ or 3.6V | -10 | | 10 | μA | |
| I_{OSR} | Short circuit Receiver output current (LVTTTL Output) | $V_O = 0V$ | -90 | -48 | | mA | |

| Symbol | Parameter | Conditions | Min | Typ | Max | Units |
|---|--|---|-----|-----|------|---------|
| M-LVDS Bus (Input and Output) Pins | | | | | | |
| I_A, I_Y | Receiver input or driver high-impedance output current | $V_{A,Y} = 3.8V, V_{B,Z} = 1.2V,$ $DE = GND$ | | | 32 | μA |
| | | $V_{A,Y} = 0V$ or $2.4V, V_{B,Z} = 1.2V, DE = GND$ | -20 | | +20 | μA |
| | | $V_{A,Y} = -1.4V, V_{B,Z} = 1.2V,$ $DE = GND$ | -32 | | | μA |
| I_B, I_Z | Receiver input or driver high-impedance output current | $V_{B,Z} = 3.8V, V_{A,Y} = 1.2V,$ $DE = GND$ | | | 32 | μA |
| | | $V_{B,Z} = 0V$ or $2.4V, V_{A,Y} = 1.2V, DE = GND$ | -20 | | +20 | μA |
| | | $V_{B,Z} = -1.4V, V_{A,Y} = 1.2V,$ $DE = GND$ | -32 | | | μA |
| I_{AB}, I_{YZ} | Receiver input or driver high-impedance output differential current ($I_A - I_B$ or $I_Y - I_Z$) | $V_{A,Y} = V_{B,Z}, -1.4V \leq V \leq 3.8V, DE = GND$ | -4 | | +4 | μA |
| $I_{A(OFF)}, I_{Y(OFF)}$ | Receiver input or driver high-impedance output power-off current | $V_{A,Y} = 3.8V, V_{B,Z} = 1.2V,$ $DE = 0V$ $0V \leq V_{CC} \leq 1.5V$ | | | 32 | μA |
| | | $V_{A,Y} = 0V$ or $2.4V, V_{B,Z} = 1.2V,$ $DE = 0V$ $0V \leq V_{CC} \leq 1.5V$ | -20 | | +20 | μA |
| | | $V_{A,Y} = -1.4V, V_{B,Z} = 1.2V,$ $DE = 0V$ $0V \leq V_{CC} \leq 1.5V$ | -32 | | | μA |
| $I_{B(OFF)}, I_{Z(OFF)}$ | Receiver input or driver high-impedance output power-off current | $V_{B,Z} = 3.8V, V_{A,Y} = 1.2V,$ $DE = 0V$ $0V \leq V_{CC} \leq 1.5V$ | | | 32 | μA |
| | | $V_{B,Z} = 0V$ or $2.4V, V_{A,Y} = 1.2V,$ $DE = 0V$ $0V \leq V_{CC} \leq 1.5V$ | -20 | | +20 | μA |
| | | $V_{B,Z} = -1.4V, V_{A,Y} = 1.2V,$ $DE = 0V$ $0V \leq V_{CC} \leq 1.5V$ | -32 | | | μA |
| $I_{AB(OFF)}, I_{YZ(OFF)}$ | Receiver input or driver high-impedance output power-off differential current ($I_{A(OFF)} - I_{B(OFF)}$ or $I_{Y(OFF)} - I_{Z(OFF)}$) | $V_{A,Y} = V_{B,Z}, -1.4V \leq V \leq 3.8V,$ $DE = 0V$ $0V \leq V_{CC} \leq 1.5V$ | -4 | | +4 | μA |
| C_A, C_B | Receiver input capacitance | $V_{CC} = OPEN$ | | 5.1 | | pF |
| C_Y, C_Z | Driver output capacitance | | | 8.5 | | pF |
| C_{AB} | Receiver input differential capacitance | | | 2.5 | | pF |
| C_{YZ} | Driver output differential capacitance | | | 5.5 | | pF |
| $C_{A/B}, C_{Y/Z}$ | Receiver input or driver output capacitance balance (C_A/C_B or C_Y/C_Z) | | | | 1.0 | |
| SUPPLY CURRENT (V_{CC}) | | | | | | |
| I_{CCD} | Driver Supply Current | $R_L = 50\Omega, DE = V_{CC}, \overline{RE} = V_{CC}$ | | 17 | 29.5 | mA |
| I_{CCZ} | TRI-STATE Supply Current | $DE = GND, \overline{RE} = V_{CC}$ | | 7 | 9.0 | mA |
| I_{CCR} | Receiver Supply Current | $DE = GND, \overline{RE} = GND$ | | 14 | 18.5 | mA |
| I_{CCB} | Supply Current, Driver and Receiver Enabled | $DE = V_{CC}, \overline{RE} = GND$ | | 20 | 29.5 | mA |

Switching Characteristics

Over recommended operating supply and temperature ranges unless otherwise specified. (Notes 3, 8)

| Symbol | Parameter | Conditions | Min | Typ | Max | Units |
|----------------------------------|---|--|-------------------------------|-----|-----|-------|
| DRIVER AC SPECIFICATION | | | | | | |
| t_{PLH} | Differential Propagation Delay Low to High | $R_L = 50\Omega, C_L = 5\text{ pF},$ $C_D = 0.5\text{ pF}$ <i>Figure 7 and Figure 8</i> | 1.0 | 3.4 | 5.5 | ns |
| t_{PHL} | Differential Propagation Delay High to Low | | 1.0 | 3.1 | 5.5 | ns |
| $t_{SKD1} (t_{sk(p)})$ | Pulse Skew $ t_{PLHD} - t_{PHLD} $ (Notes 5, 9) | | | 300 | 420 | ps |
| t_{SKD3} | Part-to-Part Skew (Notes 6, 9) | | | | 1.9 | ns |
| $t_{TLH} (t_r)$ | Rise Time (Note 9) | | 1.0 | 1.8 | 3.0 | ns |
| $t_{THL} (t_f)$ | Fall Time (Note 9) | | 1.0 | 1.8 | 3.0 | ns |
| t_{PZH} | Enable Time (Z to Active High) | $R_L = 50\Omega, C_L = 5\text{ pF},$ $C_D = 0.5\text{ pF}$ <i>Figure 9 and Figure 10</i> | | | 8 | ns |
| t_{PZL} | Enable Time (Z to Active Low) | | | | 8 | ns |
| t_{PLZ} | Disable Time (Active Low to Z) | | | | 8 | ns |
| t_{PHZ} | Disable Time (Active High to Z) | | | | 8 | ns |
| t_{JIT} | Random Jitter, RJ (Note 9) | | 100MHz clock pattern (Note 7) | | 2.5 | 5.5 |
| f_{MAX} | Maximum Data Rate | | 200 | | | Mbps |
| RECEIVER AC SPECIFICATION | | | | | | |
| t_{PLH} | Propagation Delay Low to High | $C_L = 15\text{ pF}$ <i>Figures 11, 12 and Figure 13</i> | 2.0 | 4.7 | 7.5 | ns |
| t_{PHL} | Propagation Delay High to Low | | 2.0 | 5.3 | 7.5 | ns |
| $t_{SKD1} (t_{sk(p)})$ | Pulse Skew $ t_{PLHD} - t_{PHLD} $ (Notes 5, 9) | | | 0.6 | 1.9 | ns |
| t_{SKD3} | Part-to-Part Skew (Notes 6, 9) | | | | 1.5 | ns |
| $t_{TLH} (t_r)$ | Rise Time (Note 9) | | 0.5 | 1.2 | 3.0 | ns |
| $t_{THL} (t_f)$ | Fall Time (Note 9) | | 0.5 | 1.2 | 3.0 | ns |
| t_{PZH} | Enable Time (Z to Active High) | $R_L = 500\Omega, C_L = 15\text{ pF}$ <i>Figure 14 and Figure 15</i> | | | 10 | ns |
| t_{PZL} | Enable Time (Z to Active Low) | | | | 10 | ns |
| t_{PLZ} | Disable Time (Active Low to Z) | | | | 10 | ns |
| t_{PHZ} | Disable Time (Active High to Z) | | | | 10 | ns |
| f_{MAX} | Maximum Data Rate | | | 200 | | |

Note 1: "Absolute Maximum Ratings" are those beyond which the safety of the device cannot be guaranteed. They are not meant to imply that the device should be operated at these limits. The tables of "Electrical Characteristics" provide conditions for actual device operation.

Note 2: All currents into device pins are positive; all currents out of device pins are negative. All voltages are referenced to device ground unless otherwise specified.

Note 3: All typicals are given for $V_{CC} = 3.3V$ and $T_A = 25^\circ C$.

Note 4: The algebraic convention, in which the least positive (most negative) limit is designated as minimum, is used in this datasheet.

Note 5: $t_{SKD1}, |t_{PLHD} - t_{PHLD}|$, is the magnitude difference in differential propagation delay time between the positive going edge and the negative going edge of the same channel.

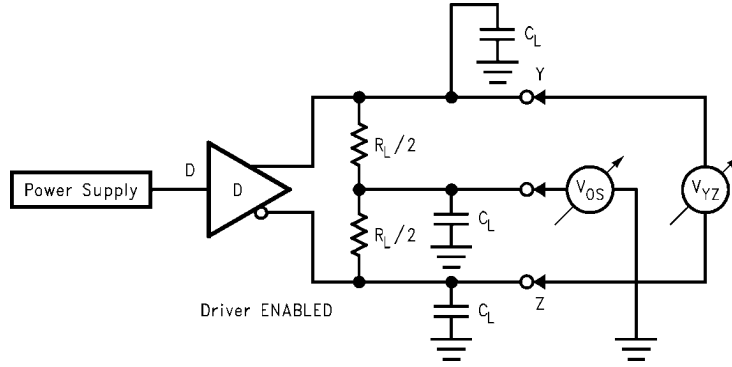
Note 6: t_{SKD3} , Part-to-Part Skew, is defined as the difference between the minimum and maximum specified differential propagation delays. This specification applies to devices at the same V_{CC} and within $5^\circ C$ of each other within the operating temperature range.

Note 7: Stimulus and fixture jitter has been subtracted.

Note 8: C_L includes fixture capacitance and C_D includes probe capacitance.

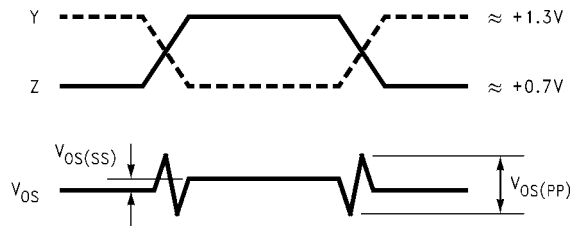
Note 9: Not production tested. Guaranteed by a statistical analysis on a sample basis at the time of characterization.

Test Circuits and Waveforms



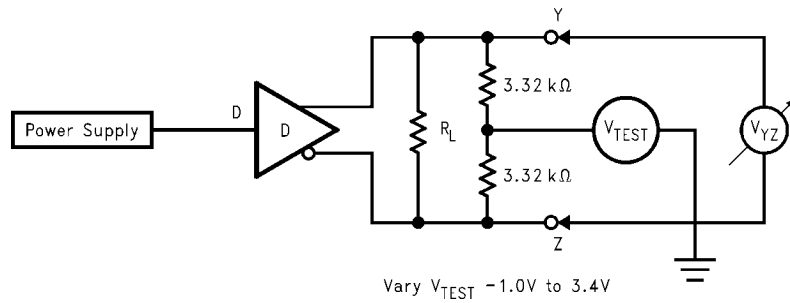
20041914

FIGURE 2. Differential Driver Test Circuit



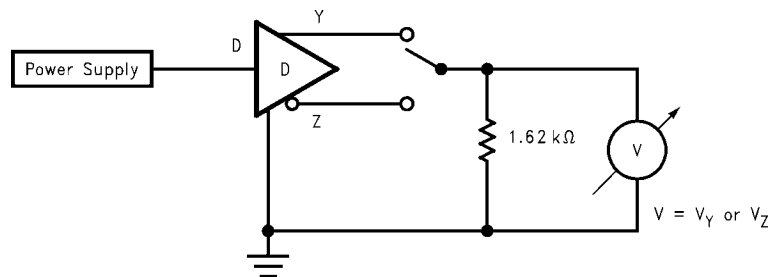
20041924

FIGURE 3. Differential Driver Waveforms



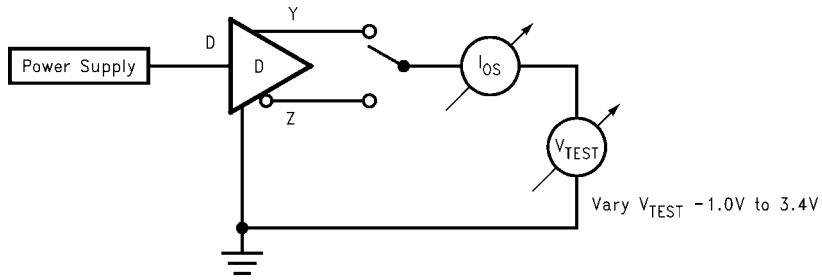
20041922

FIGURE 4. Differential Driver Full Load Test Circuit



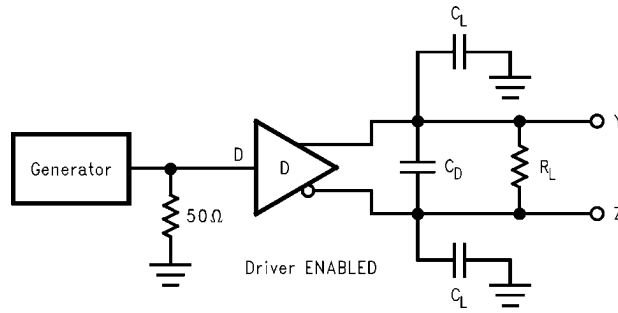
20041912

FIGURE 5. Differential Driver DC Open Test Circuit



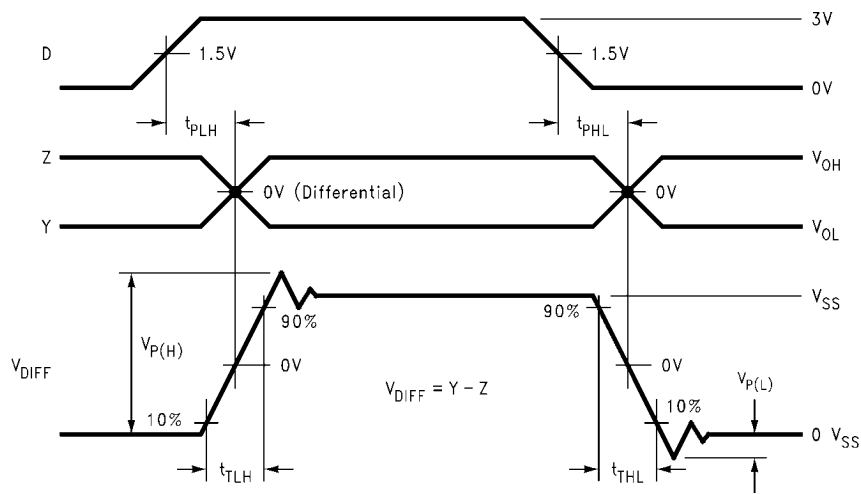
20041927

FIGURE 6. Differential Driver Short-Circuit Test Circuit



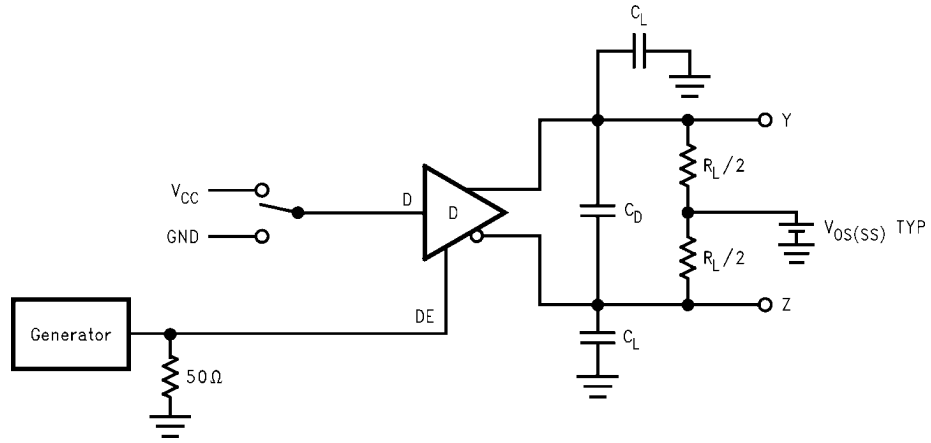
20041916

FIGURE 7. Driver Propagation Delay and Transition Time Test Circuit



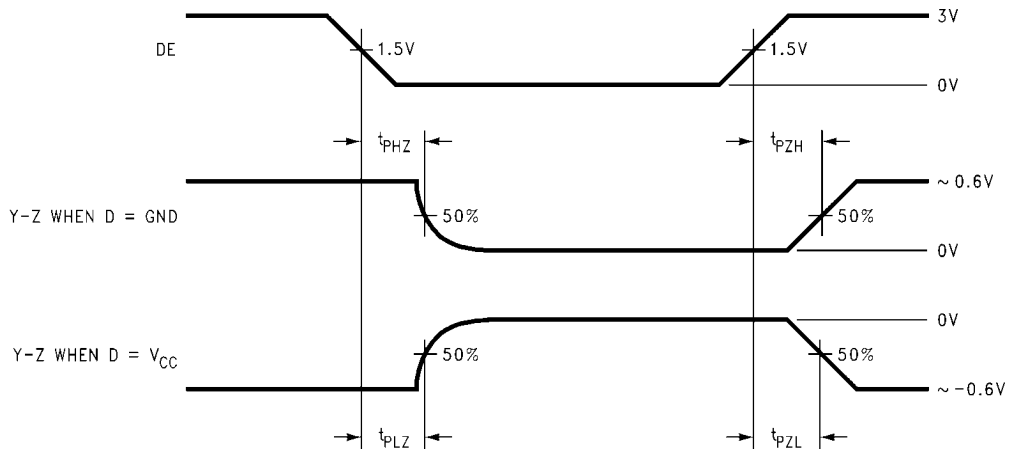
20041918

FIGURE 8. Driver Propagation Delays and Transition Time Waveforms



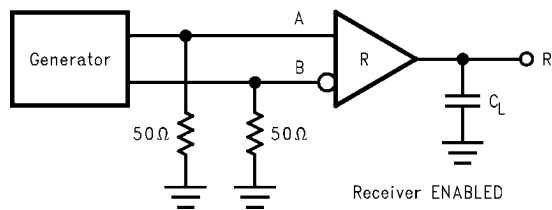
20041919

FIGURE 9. Driver TRI-STATE Delay Test Circuit



20041921

FIGURE 10. Driver TRI-STATE Delay Waveforms



20041915

FIGURE 11. Receiver Propagation Delay and Transition Time Test Circuit

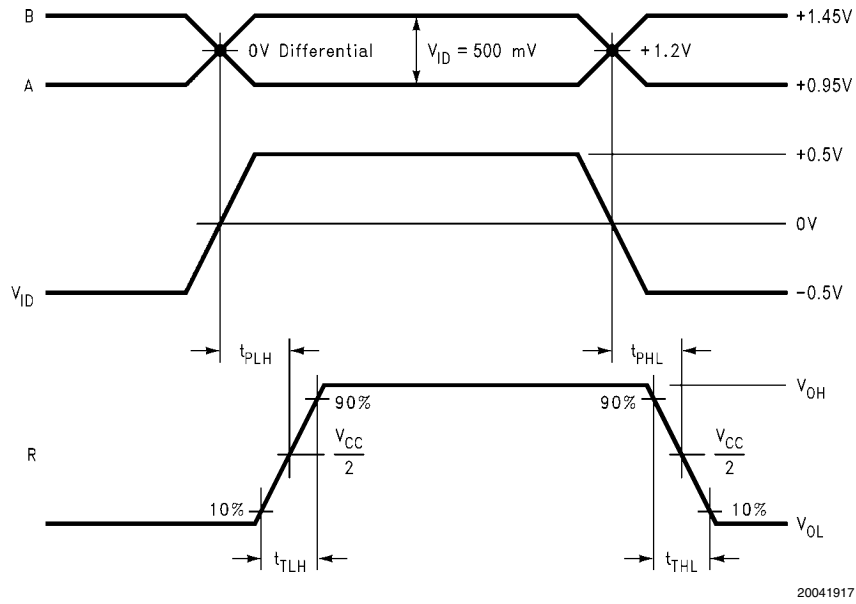


FIGURE 12. Type 1 Receiver Propagation Delay and Transition Time Waveforms

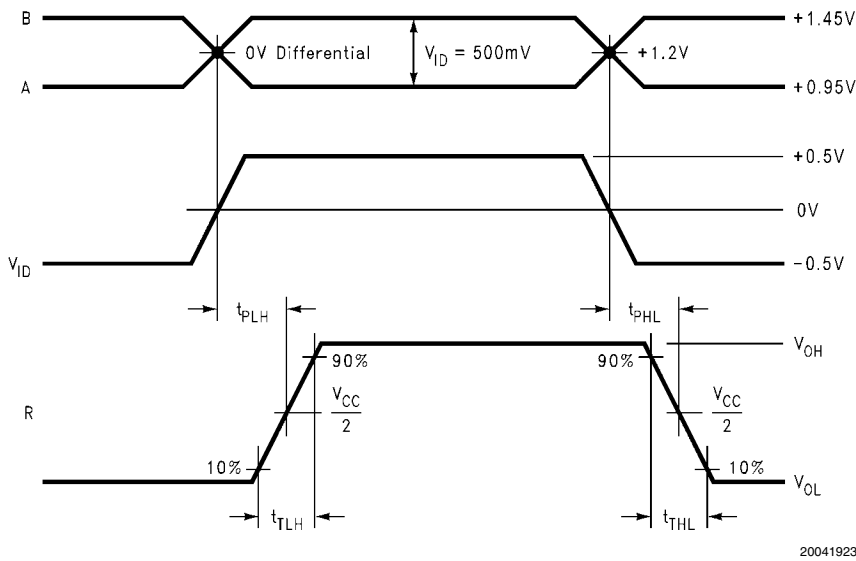


FIGURE 13. Type 2 Receiver Propagation Delay and Transition Time Waveforms

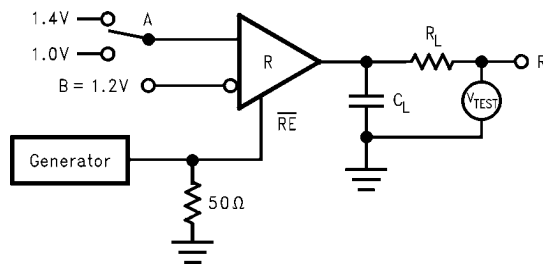


FIGURE 14. Receiver TRI-STATE Delay Test Circuit

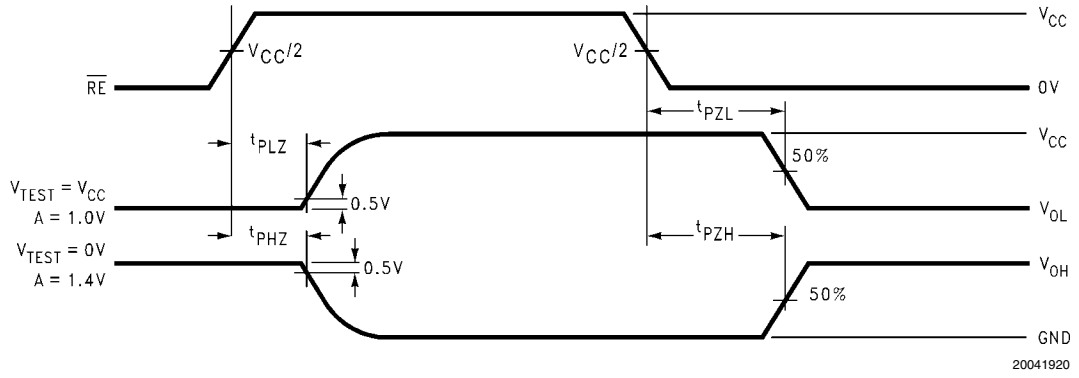


FIGURE 15. Receiver TRI-STATE Delay Waveforms

Function Tables

DS91D180/DS91C180 Transmitting

| Inputs | | Outputs | |
|--------|------|---------|---|
| DE | D | Z | Y |
| 2.0V | 2.0V | L | H |
| 2.0V | 0.8V | H | L |
| 0.8V | X | Z | Z |

X — Don't care condition
Z — High impedance state

DS91D180 Receiving

| Inputs | | Output |
|-----------------|---------------|--------|
| \overline{RE} | A - B | R |
| 0.8V | $\geq +0.05V$ | H |
| 0.8V | $\leq -0.05V$ | L |
| 0.8V | 0V | X |
| 2.0V | X | Z |

X — Don't care condition
Z — High impedance state

DS91C180 Receiving

| Inputs | | Output |
|-----------------|---------------|--------|
| \overline{RE} | A - B | R |
| 0.8V | $\geq +0.15V$ | H |
| 0.8V | $\leq +0.05V$ | L |
| 0.8V | 0V | L |
| 2.0V | X | Z |

X — Don't care condition
Z — High impedance state

DS91D180 Receiver Input Threshold Test Voltages

| Applied Voltages | | Resulting Differential Input Voltage | Resulting Common-Mode Input Voltage | Receiver Output |
|------------------|----------|--------------------------------------|-------------------------------------|-----------------|
| V_{IA} | V_{IB} | V_{ID} | V_{IC} | R |
| 2.400V | 0.000V | 2.400V | 1.200V | H |
| 0.000V | 2.400V | -2.400V | 1.200V | L |
| 3.800V | 3.750V | 0.050V | 3.775V | H |
| 3.750V | 3.800V | -0.050V | 3.775V | L |
| -1.400V | -1.350V | -0.050V | -1.375V | H |
| -1.350V | -1.400V | 0.050V | -1.375V | L |

H — High Level
L — Low Level
Output state assumes that the receiver is enabled ($\overline{RE} = L$)

DS91C180 Receiver Input Threshold Test Voltages

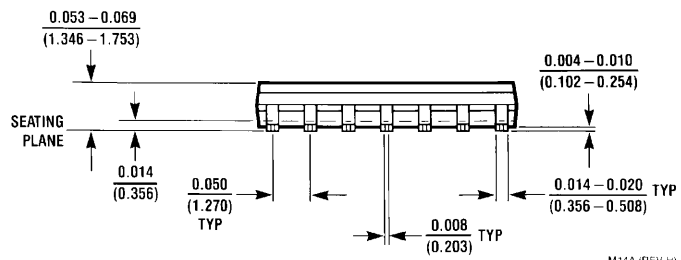
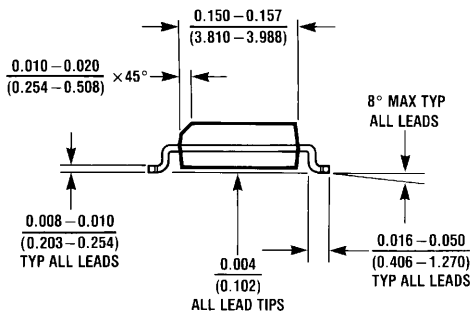
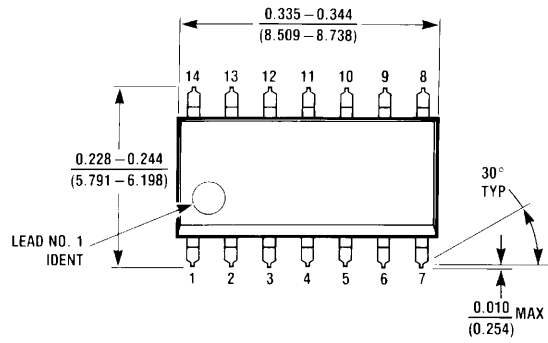
| Applied Voltages | | Resulting Differential Input Voltage | Resulting Common-Mode Input Voltage | Receiver Output |
|------------------|----------|--------------------------------------|-------------------------------------|-----------------|
| V_{IA} | V_{IB} | V_{ID} | V_{IC} | R |
| 2.400V | 0.000V | 2.400V | 1.200V | H |
| 0.000V | 2.400V | -2.400V | 1.200V | L |
| 3.800V | 3.650V | 0.150V | 3.725V | H |
| 3.800V | 3.750V | 0.050V | 3.775V | L |
| -1.250V | -1.400V | 0.150V | -1.325V | H |
| -1.350V | -1.400V | 0.050V | -1.375V | L |

H — High Level
L — Low Level
Output state assumes that the receiver is enabled ($\overline{RE} = L$)

Pin Descriptions

| Pin No. | Name | Description |
|---------|-----------------|--|
| 1, 8 | NC | No connect. |
| 2 | R | Receiver output pin |
| 3 | \overline{RE} | Receiver enable pin: When \overline{RE} is high, the receiver is disabled. When \overline{RE} is low or open, the receiver is enabled. |
| 4 | DE | Driver enable pin: When DE is low, the driver is disabled. When DE is high, the driver is enabled. |
| 5 | D | Driver input pin |
| 6, 7 | GND | Ground pin |
| 9 | Y | Non-inverting driver output pin |
| 10 | Z | Inverting driver output pin |
| 11 | B | Inverting receiver input pin |
| 12 | A | Non-inverting receiver input pin |
| 13, 14 | V_{CC} | Power supply pin, +3.3V \pm 0.3V |

Physical Dimensions inches (millimeters) unless otherwise noted



M14A (REV H)

Order Number DS91D180TMA, DS91C180TMA
See NS package Number M14A

Notes

For more National Semiconductor product information and proven design tools, visit the following Web sites at:

| Products | | Design Support | |
|--------------------------------|--|-------------------------|--|
| Amplifiers | www.national.com/amplifiers | WEBENCH | www.national.com/webench |
| Audio | www.national.com/audio | Analog University | www.national.com/AU |
| Clock Conditioners | www.national.com/timing | App Notes | www.national.com/appnotes |
| Data Converters | www.national.com/adc | Distributors | www.national.com/contacts |
| Displays | www.national.com/displays | Green Compliance | www.national.com/quality/green |
| Ethernet | www.national.com/ethernet | Packaging | www.national.com/packaging |
| Interface | www.national.com/interface | Quality and Reliability | www.national.com/quality |
| LVDS | www.national.com/lvds | Reference Designs | www.national.com/refdesigns |
| Power Management | www.national.com/power | Feedback | www.national.com/feedback |
| Switching Regulators | www.national.com/switchers | | |
| LDOs | www.national.com/lido | | |
| LED Lighting | www.national.com/led | | |
| PowerWise | www.national.com/powerwise | | |
| Serial Digital Interface (SDI) | www.national.com/sdi | | |
| Temperature Sensors | www.national.com/tempsensors | | |
| Wireless (PLL/VCO) | www.national.com/wireless | | |

THE CONTENTS OF THIS DOCUMENT ARE PROVIDED IN CONNECTION WITH NATIONAL SEMICONDUCTOR CORPORATION ("NATIONAL") PRODUCTS. NATIONAL MAKES NO REPRESENTATIONS OR WARRANTIES WITH RESPECT TO THE ACCURACY OR COMPLETENESS OF THE CONTENTS OF THIS PUBLICATION AND RESERVES THE RIGHT TO MAKE CHANGES TO SPECIFICATIONS AND PRODUCT DESCRIPTIONS AT ANY TIME WITHOUT NOTICE. NO LICENSE, WHETHER EXPRESS, IMPLIED, ARISING BY ESTOPPEL OR OTHERWISE, TO ANY INTELLECTUAL PROPERTY RIGHTS IS GRANTED BY THIS DOCUMENT.

TESTING AND OTHER QUALITY CONTROLS ARE USED TO THE EXTENT NATIONAL DEEMS NECESSARY TO SUPPORT NATIONAL'S PRODUCT WARRANTY. EXCEPT WHERE MANDATED BY GOVERNMENT REQUIREMENTS, TESTING OF ALL PARAMETERS OF EACH PRODUCT IS NOT NECESSARILY PERFORMED. NATIONAL ASSUMES NO LIABILITY FOR APPLICATIONS ASSISTANCE OR BUYER PRODUCT DESIGN. BUYERS ARE RESPONSIBLE FOR THEIR PRODUCTS AND APPLICATIONS USING NATIONAL COMPONENTS. PRIOR TO USING OR DISTRIBUTING ANY PRODUCTS THAT INCLUDE NATIONAL COMPONENTS, BUYERS SHOULD PROVIDE ADEQUATE DESIGN, TESTING AND OPERATING SAFEGUARDS.

EXCEPT AS PROVIDED IN NATIONAL'S TERMS AND CONDITIONS OF SALE FOR SUCH PRODUCTS, NATIONAL ASSUMES NO LIABILITY WHATSOEVER, AND NATIONAL DISCLAIMS ANY EXPRESS OR IMPLIED WARRANTY RELATING TO THE SALE AND/OR USE OF NATIONAL PRODUCTS INCLUDING LIABILITY OR WARRANTIES RELATING TO FITNESS FOR A PARTICULAR PURPOSE, MERCHANTABILITY, OR INFRINGEMENT OF ANY PATENT, COPYRIGHT OR OTHER INTELLECTUAL PROPERTY RIGHT.

LIFE SUPPORT POLICY

NATIONAL'S PRODUCTS ARE NOT AUTHORIZED FOR USE AS CRITICAL COMPONENTS IN LIFE SUPPORT DEVICES OR SYSTEMS WITHOUT THE EXPRESS PRIOR WRITTEN APPROVAL OF THE CHIEF EXECUTIVE OFFICER AND GENERAL COUNSEL OF NATIONAL SEMICONDUCTOR CORPORATION. As used herein:

Life support devices or systems are devices which (a) are intended for surgical implant into the body, or (b) support or sustain life and whose failure to perform when properly used in accordance with instructions for use provided in the labeling can be reasonably expected to result in a significant injury to the user. A critical component is any component in a life support device or system whose failure to perform can be reasonably expected to cause the failure of the life support device or system or to affect its safety or effectiveness.

National Semiconductor and the National Semiconductor logo are registered trademarks of National Semiconductor Corporation. All other brand or product names may be trademarks or registered trademarks of their respective holders.

Copyright© 2008 National Semiconductor Corporation

For the most current product information visit us at www.national.com



National Semiconductor Americas Technical Support Center
Email: support@nsc.com
Tel: 1-800-272-9959

National Semiconductor Europe Technical Support Center
Email: europe.support@nsc.com
German Tel: +49 (0) 180 5010 771
English Tel: +44 (0) 870 850 4288

National Semiconductor Asia Pacific Technical Support Center
Email: ap.support@nsc.com

National Semiconductor Japan Technical Support Center
Email: jpn.feedback@nsc.com